



INTRODUCTION TO INVENTOR SOLID MODELING I

AUTODESK 2008



Instructor:

Scott Washburn

Product Development Engineer/ CAD Administrator

Dates: Sept 10-Nov19
(no class Oct 8)

Day: Wednesday

Time: 5:30-8 p.m.

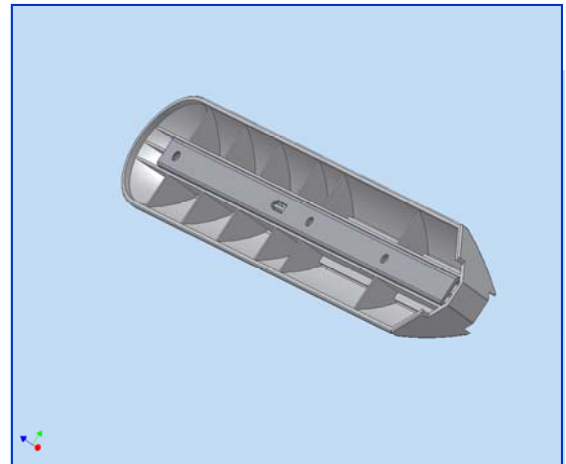
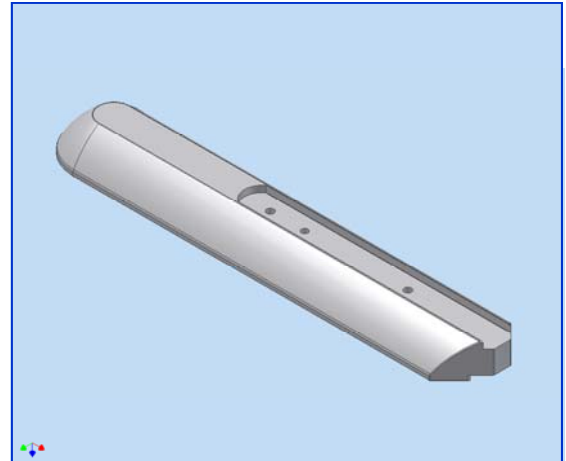
Cost: \$ 1,195 plus
text \$115

25 Hours

This class will assist beginners in the use of Autodesk Inventor 8 software. Keeping the similarities to the AutoCAD software, Autodesk created Inventor to make the process of adding 3D as easy as possible. Autodesk is focused on helping designers, architects, contractors and engineers create accurate digital prototypes that integrate existing 2D designs into the 3D design environment.

Inventor makes it easy to reuse and share both AutoCAD DWG files and 3D design data with other applications. Autodesk Inventor is considered to be the best choice for AutoCAD users moving to 3D. Students should be able to create their own designs upon completion of level one. *Prerequisite: Average computer experience.* **This class is limited to 9 students.**

Classes will be held at the Warren/Forest Higher Education Council.



Registration Form

Name _____
Address _____ Phone _____
City/State/Zip _____
Email address _____
Company Name _____
SS# or Birth Date _____ (one is required for registration)

Method of Payment: Phone (814) 723-3577 Fax (814) 723-3951 (credit card payment only)
 MasterCard Visa Discover
 Check enclosed

Mail payment to: JCC Warren Center, 185 Hospital Drive, Curwen Bldg., Warren PA 16365
Credit Card Number _____ exp. Date _____ 3 digit code _____
Signature _____

For information call 814-723-3577

